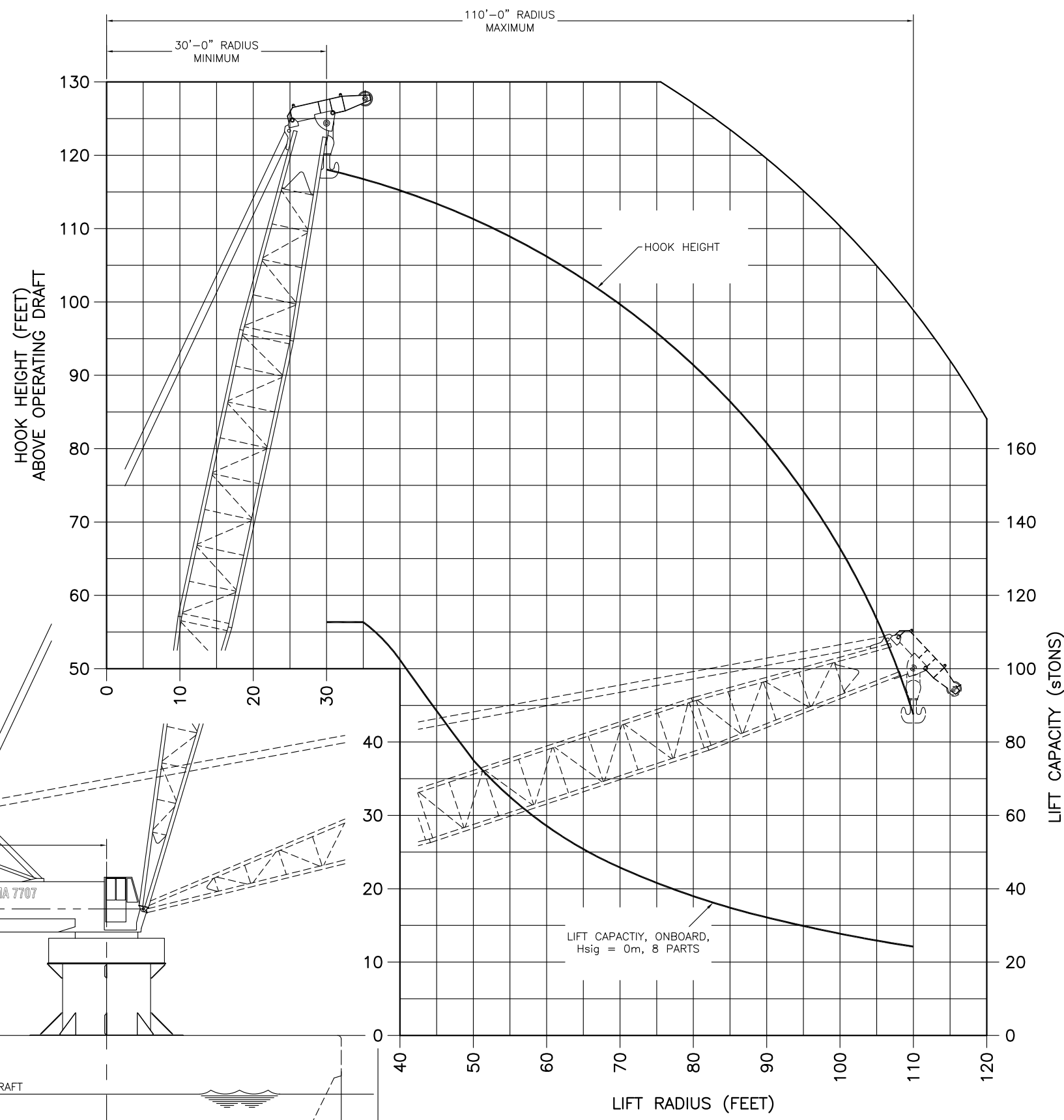
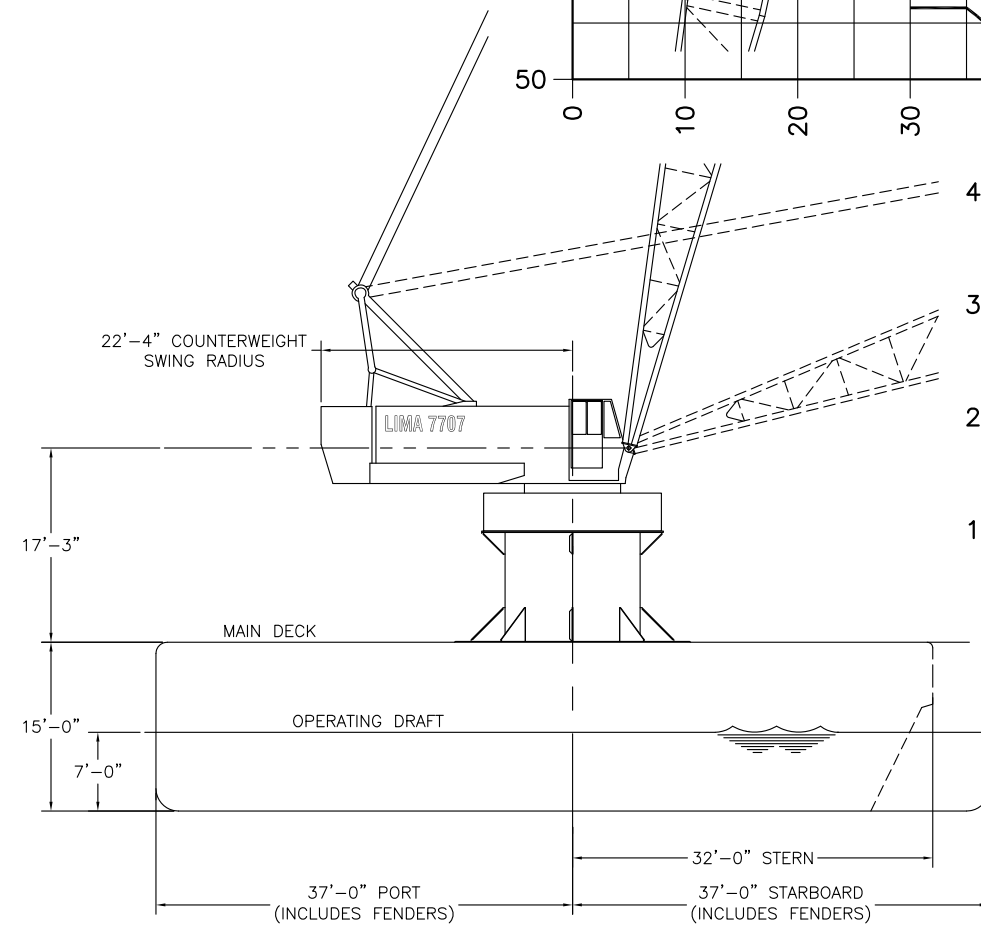


REVISIONS					
REV	DESCRIPTION	BY	DATE	ENG	APP
A	NEW RELEASE	LAW	06/15/08	LAW	---



- NOTES:
1. LIFTS AT OR NEAR CAPACITY SHOULD BE ENGINEERED LIFTS.
 2. THE BOOM LENGTH IS 110 FEET FROM THE BOOM HEEL PIN.



CROSSMAR
INCORPORATED

THIS DRAWING CONTAINS PROPRIETY INFORMATION OF AND IS THE PROPERTY OF, CROSS MARITIME. IT IS NOT TO BE REPRODUCED ELECTRONICALLY OR BY ANY OTHER METHOD OR DISCLOSED TO OTHERS WITHOUT THE EXPRESS WRITTEN CONSENT OF CROSS MARITIME OR IT'S AUTHORIZED AGENTS.

TITLE: CROSSMAR 21 LIMA 7707 LIFT CHART

DWN: LAW	06/15/08	SIZE	JOB NO:	DRAWING NUMBER:	REV
CKD: LAW	06/15/08	D	---	---	A
ENG: LAW	06/15/08	SCALE: 1:100	EST. WT: N/A	CAD NO. ---	SHEET: 1/1
APVD: ---	---				
APVD: ---	---				

3rd ANGLE PROJECTION